

YM-24

YM-24 Datasheet

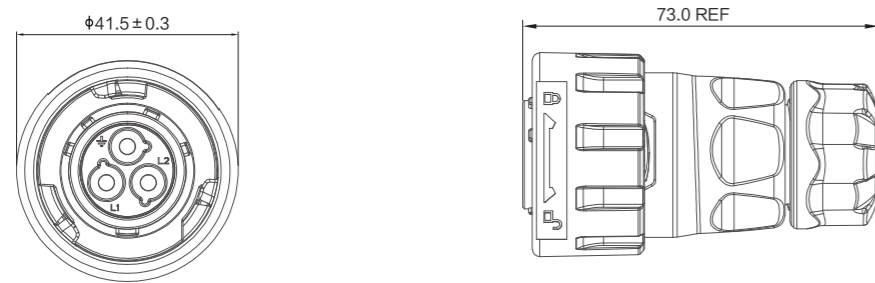
YM24 Power/Signal	Product Series		YM-24																					
	Pin Number		2PIN		3PIN		4PIN		10PIN		12PIN		19PIN		24PIN		RJ45	HDMI	USB2.0	USB3.0	Optical fiber			
	Application Type Section																							
	Current Rating		35A		45A		25A		10A		10A		5A		1.5A		0.5A		500mA		900mA		—	
	Voltage Rating		AC 300V				AC 500V				AC 500V		AC 250V		AC 125V		AC 5V							
	Cable O.D Range		≤ φ 14.0mm										≤ φ 14.0mm						φ 5.0~7.0mm		φ 4.5~6.0mm			
	Wire Size		6.0mm ² /12AWG		8.0mm ² /8AWG Electronic wire		4.0mm ² /12AWG		1.5mm ² /16AWG		1.5mm ² /16AWG		0.5mm ² /20AWG		—		—		—		—			
	Protection Level		Standard is IP65, IP67&IP68 Option Available										Standard is IP65, IP67&IP68 Option Available											
	Assembly Method		Soldering/Screwing						Soldering															
Illustration	Material	Part No										Part No												
	Plastic	Male	YM-24-C02PE-02-035	YM-24-C03PE-02-035	YM-24-C03PE-02-050	YM-24-C04PE-02-001	YM-24-C10PE-02-001A	YM-24-C12PE-02-001A	YM-24-C19PE-02-001A	YM-24-C03PE-02-050	YM-24-C/RJ45/015/PE-42-001	YM24-HDMI-MP-MP-1M-001	YM-24-USB2-MP-MP-1M-001	YM24-USB3-MP-MP-1M-001	YM-24-C/LC/016/PE-42-002	YM-24-C/LC/016/PE-42-001								
		Female	YM-24-J02PE-02-035	YM-24-J03PE-02-035	YM-24-J03PE-02-050	YM-24-J04PE-02-001	YM-24-J10PE-02-001A	YM-24-J12PE-02-001A	YM-24-J19PE-02-001A	YM-24-J03PE-02-050	—	—	—	—	—	—								
	Plastic	Male	YM-24-C02PP-02-035	YM-24-C03PP-02-035	YM-24-C03PP-02-050	YM-24-C04PP-02-001	YM-24-C10PP-02-001A	YM-24-C12PP-02-001A	YM-24-C19PP-02-001A	YM-24-C03PP-02-050	—	—	—	—	—									
		Female	YM-24-J02PP-02-035	YM-24-J03PP-02-035	YM-24-J03PP-02-050	YM-24-J04PP-02-001	YM-24-J10PP-02-001A	YM-24-J12PP-02-001A	YM-24-J19PP-02-001A	YM-24-J03PP-02-050	—	—	—	—	—									
	Plastic	Male	YM-24-C02SX-02-135	YM-24-C03SX-02-135	YM-24-C03SX-02-150	YM-24-C04SX-02-101	YM-24-C10SX-02-101A	YM-24-C12SX-02-101A	YM-24-C19SX-02-101A	YM-24-C03SX-02-150	—	—	—	—	—									
		Female	YM-24-J02SX-02-135	YM-24-J03SX-02-135	YM-24-J03SX-02-150	YM-24-J04SX-02-101	YM-24-J10SX-02-101A	YM-24-J12SX-02-101A	YM-24-J19SX-02-101A	YM-24-J03SX-02-150	YM-24-J/RJ45/213/SX-42-102	YM-24-J/HDMI2/213/SX-42-101	YM-24-J/USB2/213/SX-42-101A	YM-24-J/USB3/213/SX-42-101A	YM-24-J/LC/213/SX-42-101									
	Plastic	Male	YM-24-C02SX-02-435	YM-24-C03SX-02-435	YM-24-C03SX-02-450	YM-24-C04SX-02-401	YM-24-C10SX-02-401A	YM-24-C12SX-02-401A	YM-24-C19SX-02-401A	YM-24-C03SX-02-450	—	—	—	—	—									
		Female	YM-24-J02SX-02-435	YM-24-J03SX-02-435	YM-24-J03SX-02-450	YM-24-J04SX-02-401	YM-24-J10SX-02-401A	YM-24-J12SX-02-401A	YM-24-J19SX-02-401A	YM-24-J03SX-02-450	YM-24-J/RJ45/213/SX-42-402	YM-24-J/HDMI2/213/SX-42-401	YM-24-J/USB2/213/SX-42-401A	YM-24-J/USB3/213/SX-42-401A	YM-24-J/LC/213/SX-42-401									

YM-24 Dimension Drawing (unit: mm)

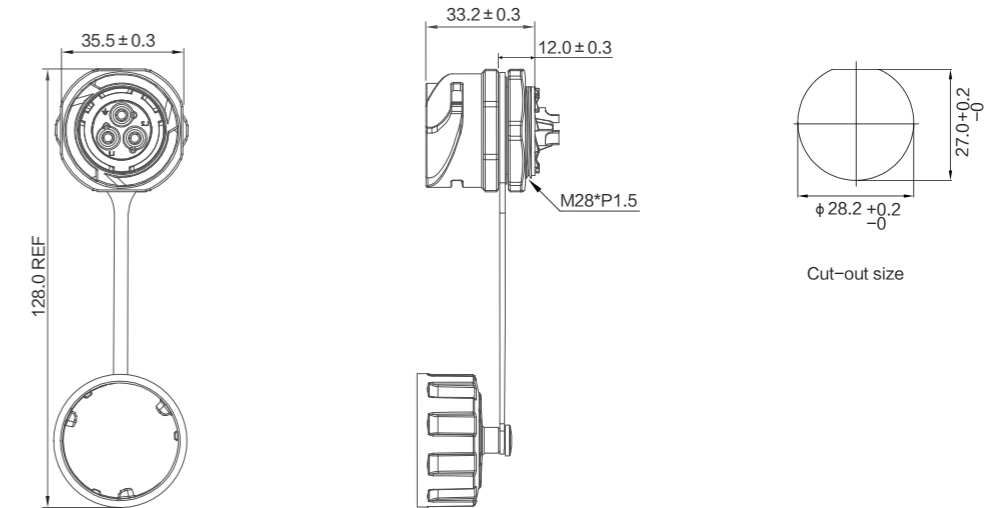
YM SERIES

YM SERIES

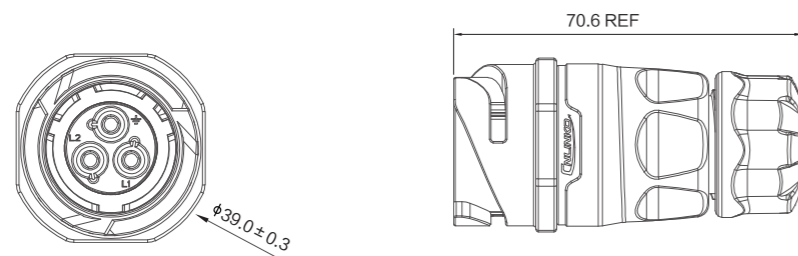
Plug



Single hole straight receptacle



In-line receptacle



Four-hole flange receptacle

