



REV.	ECN NO.	REVISED	DATE

NOTE:
 1.MATERIAL:
 a.HOUSING:PA66
 b.CONTACT:PHOSPHOR BRONZE
 (SURFACE PLATING: Sn100u"-120U")
 SEE ORDERING INFORMATION
 2.ELECTRIC:
 a.CONTACT RESISTANCE: 30 MILLIOHMS MAX
 b.INSULATION RESISTANCE: 1000 MEGA OHMS MIN
 c.DIELECTNIC VOLTAGE: 500V AC ONE SEC LEVEL
 d.OPERATING TEMPERATURE: -25° C~ +85° C

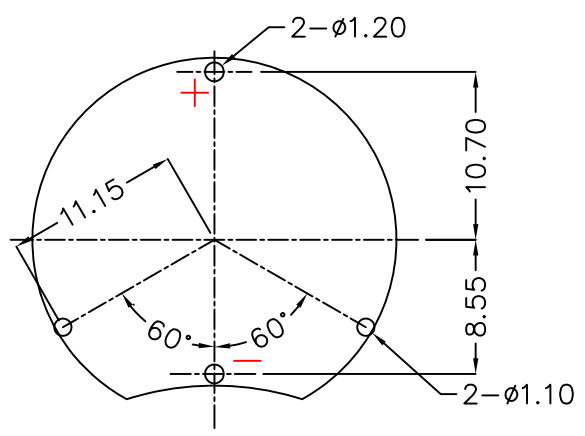
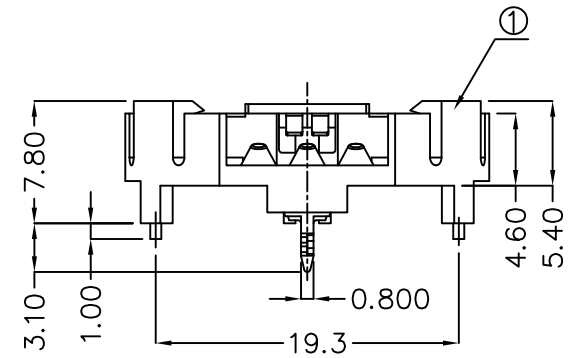
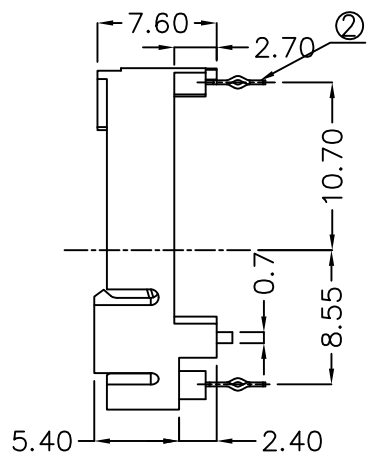
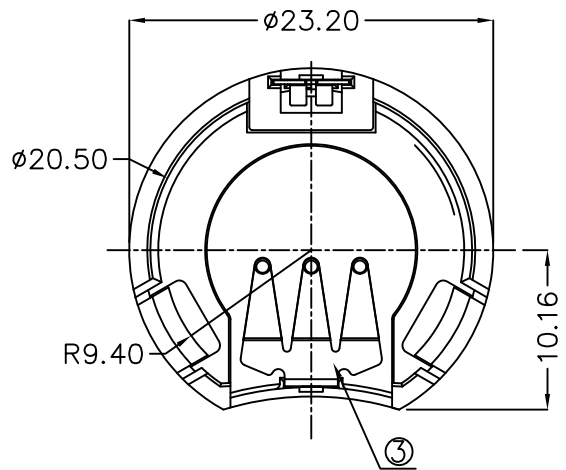
ORDERING INFORMATION

BS-02-A***007

电池座系列
 BS-02系列
 SMT 180° TYPE

PLATING:
 A-Au1U"
 J-Ni100U"~120U"
 K-Sn100U"~120U"

MATERIAL:
 1A-PBT BLACK
 1B-PA66 BLACK
 2A-PPA BROWN
 2B-PPA BLACK
 3A-PPS BROWN
 3B-PPS BLACK
 4A-LCP WHITE
 4B-LCP BLACK



PCB Layout Diagram
Top View

3	TERMINAL(+)	1	PHOSPHOR BRONZE, T=0.25mm	Sn-Plating
2	TERMINAL(+)	1	PHOSPHOR BRONZE, T=0.25mm	Sn-Plating
1	HOUSING	1	PA66 15%GF	BLACK
NO.	PART NAME	Q'TY	MATERIAL	PLATING & COLOR

UNLESS OTHERWISE SPECIFIED TOLERANCES		MYOUNG 美阳 www.meiyangdz.com	
DECIMALS: X :±0.30 X.X :±0.25 X.XX :±0.20 X.XXX :±0.10	ANGLES: X :±1° X.X :±0.5°	DSND YangFeng	DATE 2018-08-02
WEIGHT:		CHKD ZhouRuicai	DATE 2018-08-02
SHEET 1 OF 1		APVD XueShunyong	DATE 2018-08-02
SCALE:		SIZE: A4	VIEW:
UNIT: mm		REV.: A/0	OBJECT: MY
TITLE:		电池座BS-2032-2	
PART NO.:		BS-02-A1BK007	
DRAW NO.:		MY-CP-0137	