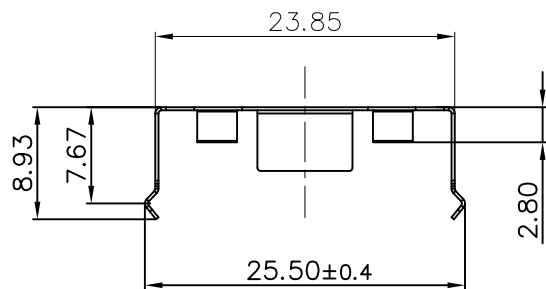
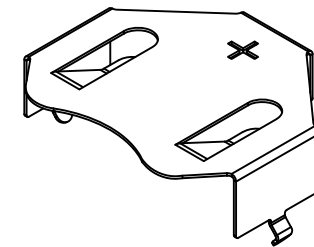
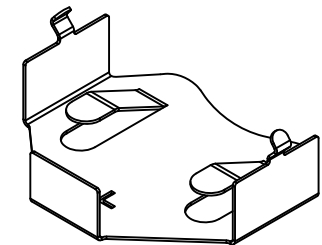
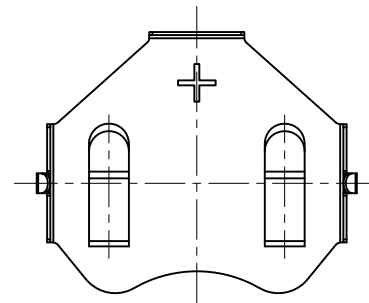
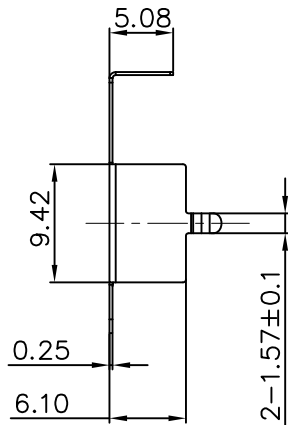
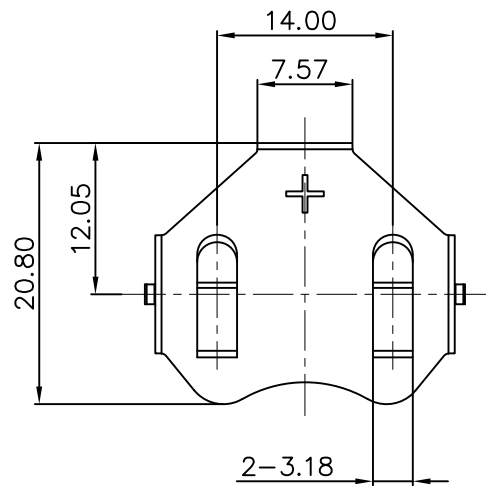




REV.	ECN NO.	REVISED	DATE



工程部  
2020-04-11  
LQ. HUANG

技术要求:

- 1、截断面毛刺高度 $\leq 0.05\text{mm}$ ;
- 2、部件要求平整,无变形、裂纹、损伤等外观缺陷;

UNLESS OTHERWISE SPECIFIED TOLERANCES		<b>MYOUNG 美阳</b> <a href="http://www.meiyangdz.com">www.meiyangdz.com</a>			
DECIMALS: X :±0.30 X.X :±0.25 X.XX :±0.20 X.XXX :±0.10	ANGLES: X :±1° X.X :±0.5°	DSND	YangFeng	DATE	2020-04-11
WEIGHT:		CHKD	ZhouRuicai	DATE	2020-04-11
SHEET 1 OF 1		APVD	XueShunyong	DATE	2020-04-11
TITLE:		SCALE:	SIZE: A4	VIEW:	
PART NO.:		UNIT: mm	REV.: A/0	OBJECT: MY	
MY-2354-01		DRAW NO.:MY-CP-0230			

1	TERMIANL+	1	C5191 T=0.25mm	NiSn-Plating
NO.	PART NAME	Q'TY	MATERIAL	PLATING & COLOR