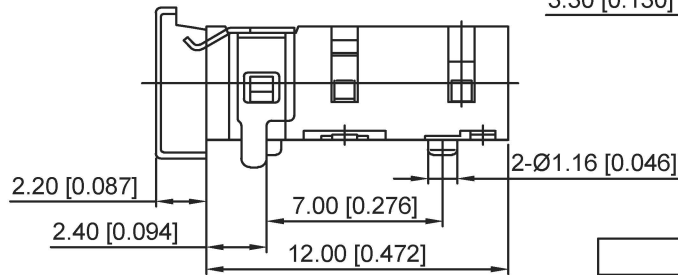
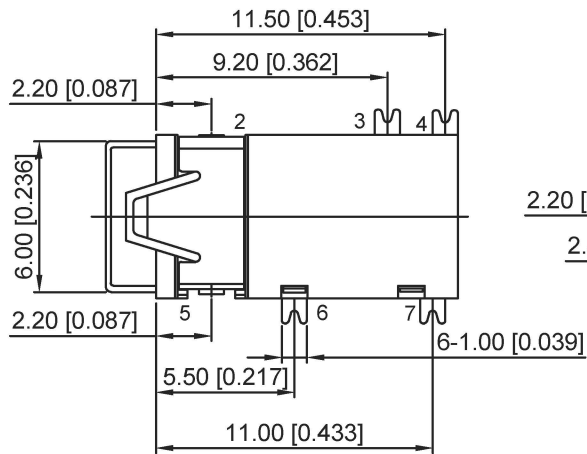
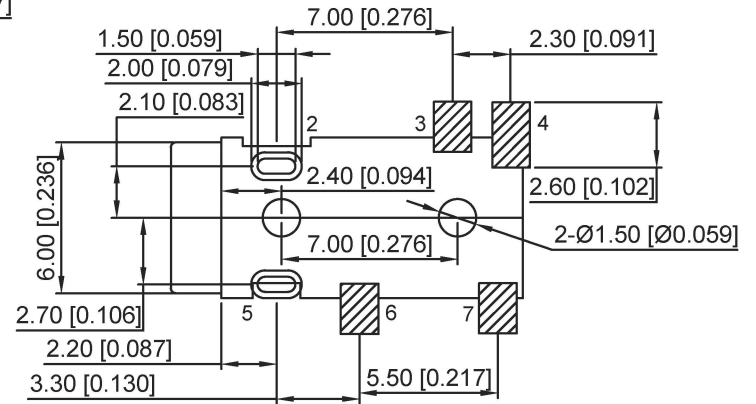


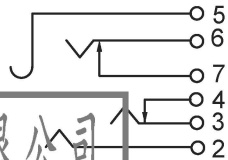
PCB.
TOP VIEW



PJ-342CB-TX-SMT

G:Gold plating
S:Silver plating

	MATERIAL	PLATING
terminal 2	Phosphor Bronze	Gold
terminal 3	Phosphor Bronze	Gold
terminal 4	Phosphor Bronze	Gold
terminal 5	Phosphor Bronze	Gold
terminal 6	Phosphor Bronze	Gold
terminal 7	Phosphor Bronze	Gold
plastic	High Temp. Thermoplastic	



广东星坤科技股份有限公司

生效日期

文件工程章

日期

REVISIONS

www.helloxkb.com www.helloxkb.com www.helloxkb.com

DSND		DATE		SCALE: N/A	MODEL TYPE: 3.5 PHONE JACK
DWN		DATE		VIEW:	PART NO.:
CHKD		DATE		UNIT: mm/in	DWG NO.:
APPD		DATE		SIZE: A4	PJ-342CB-TX-SMT
UNSPECIFIED TOLERANCES				XKB INDUSTRIAL PRECISION CO., LIMITED	WEIGHT 1.0g
					SHEET 1/1
					REVISION A0