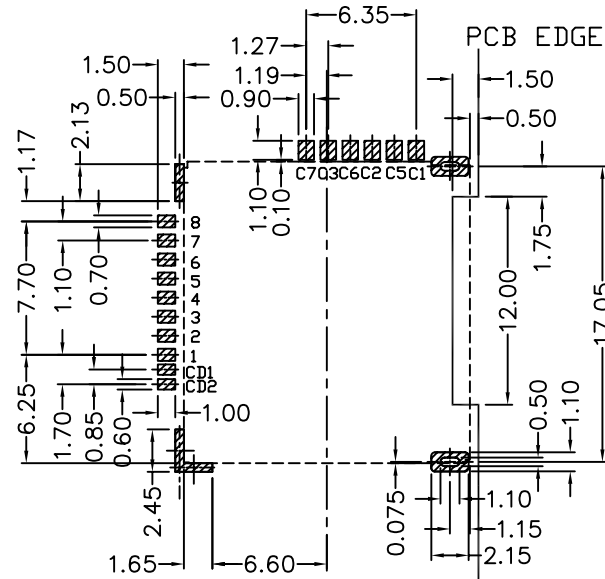
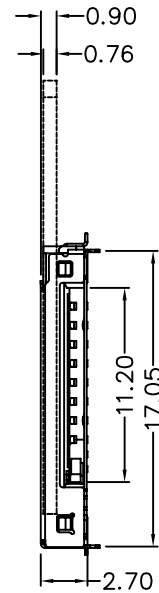
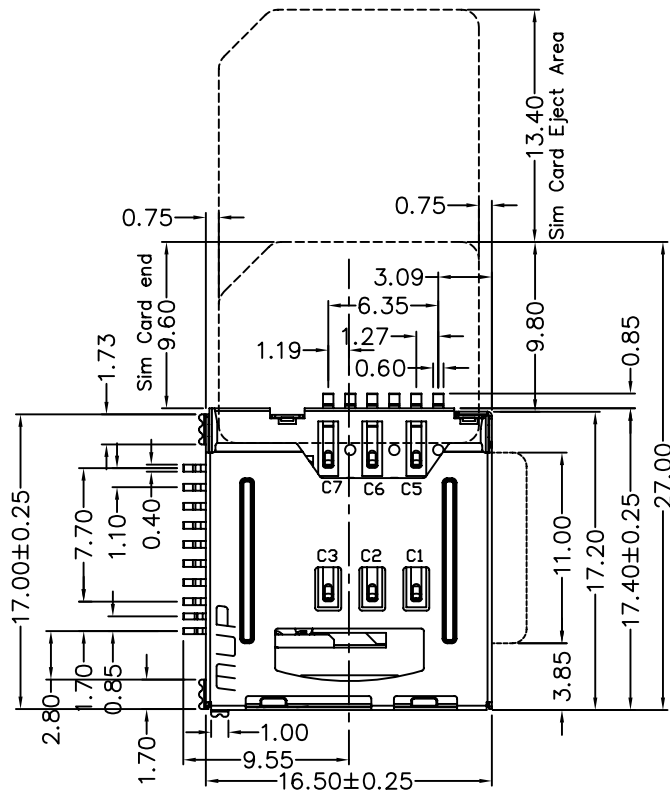
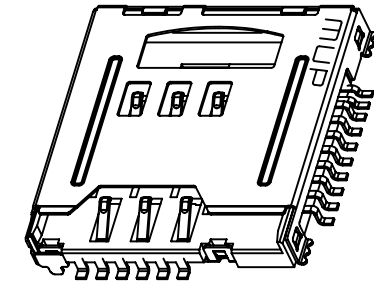


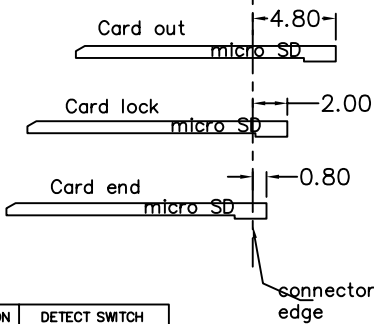
REV.	DESCRIPTION OF REVISIONS	APPR.	DRAW.	RELEASE	DATE
X1					
X2					



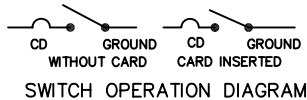
RECOMMENDED P.C.B LAYOUT  
COMPONENT SIDE(TOLERANCE ±0.05)



Micro SD CARD		SIM CARD	
Pin No.	NAME	Pin No.	NAME
1	DAT2	C1	VCC
2	CD/DAT3	C2	RST
3	CMD	C3	CLK
4	VDD	C5	GND
5	CLK	C6	VPP
6	VSS	C7	I/O
7	DAT0		
8	DAT1		
CD1	SW		
CD2	SW		



ELECTRIC FUNCTION	DETECT SWITCH
WITHOUT CARD	OPEN
CARD INSERTED	CLOSED



### TECHNICAL CHARACTERISTICS

#### 1.General Characteristics

Dimensions: 17.40LX16.50WX2.70H mm  
Weight: Approx 1.00±0.2g  
Durability: 5,000 cycles min.

#### 2.Electrical Characteristics

Contact resistance: 50mΩ typical, 100mΩ max  
Insulation resistance: >1000MΩ/500V DC

#### 3.Solderability

Vapor phase: 215°C, 30sec. Max  
IR reflow: 250°C, 5sec. Max  
Manual soldering: 370°C, 3sec. Max

#### 4.Environmental Characteristics

Operating temperature: -40°C~+85°C  
Operating humidity: 10%~+95%RH

ITEM	PART NAME	Q'TY	MATERIAL	FINISH
1	HOUSING	1	Hi-temp Thermoplastic	Black UL94V-0
2	SLIDER	1	Hi-temp Thermoplastic	Black UL94V-0
3	MicroSD TERMINAL	10	Copper Alloy	Contact area: Gold plated
4	SIM TERMINAL	6	Copper Alloy	Contact area: Gold plated
5	TOP SHELL	1	Stainless steel	SMT area: Gold plated
6	BOTTOM SHELL	1	Stainless steel	
7	COIL SPRING	1	SWP	
8	LOCK SPRING	1	Stainless steel	
9	CRANK-AXLE	1	Stainless steel	

Unless otherwise specified, other tolerance are:



X ±0.35	X' ±5'	NAME: <b>2 in 1 Card Connector</b>	
X.X ±0.25	X.X' ±4'	MODEL NO: <b>MUP-M618</b>	
X.XX ±0.15	X.XX' ±3'	TYPE: <b>SIM6pin+ MicroSD8pin H=2.70mm</b>	
X.XXX ±0.10	X.XXX' ±2'	PROJ.	UNIT
		SCALE	
		DRAWN	Zoey Apr.12.2010
		CHECKED	Jimmy Apr.12.2010
		APPROVAL	Simon Apr.12.2010
CUSTOMER DRAWING		DWG NO.:	DWG-MUP-M618-001
		SHEET	1/1
		REVISION	X1

